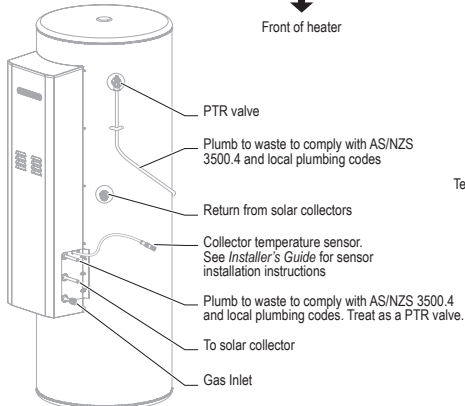
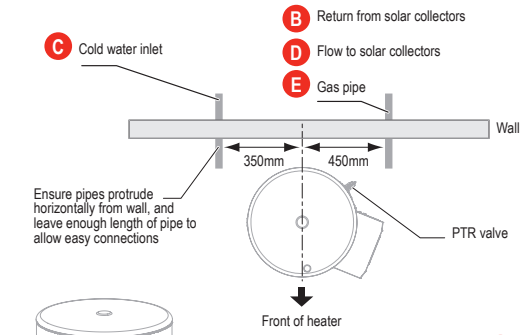




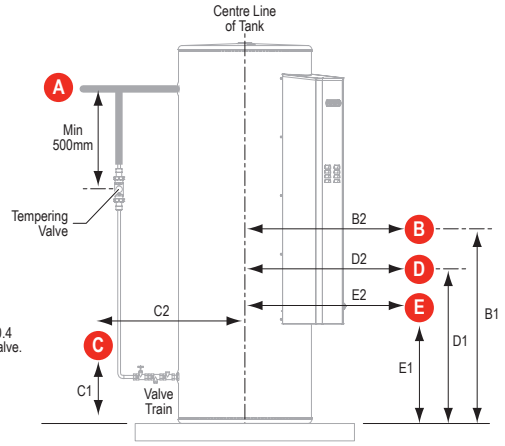
MP15 Pre Boosted Gas Solar Water Heater

Rough In Diagram



Notes

1. All pipe work must comply with AS/NZS 3500.4.
2. All solar system pipes must be 1/2" copper.
3. Pipes must be fully insulated with UV stabilized insulation suitable for solar working temperatures, e.g. Armaflex DuoSolar / Solar insulation.
4. Pipes from the solar collectors to the water storage tank must have a minimum of 5° continuous fall, to allow the water to easily drain out of the pipes.
5. A solar non return valve is supplied, and **MUST** be fitted to the return from the collectors, as per the supplied Installer's Guide.



● Approximate location of pipework (rounded to the nearest 10mm). A tolerance of 25mm is acceptable to dimensions shown in table.

			mm
A	Untempered hot water outlet from top of fireproof slab		1541
B	Return from solar collectors from top of fireproof slab	B1	1013
	Return from solar collectors from centre line of tank	B2	450
C	Cold water inlet from top of fireproof slab	C1	215
	Cold water inlet from centre line of tank (allowing space for valve train)	C2	350
D	Flow to solar collectors from top of fireproof slab	D1	640
	Flow to solar collectors from centre line of tank	D2	450
E	Gas entry from top of fireproof slab	E1	540
	Gas entry from side of tank	E2	450