



airoheat[®]

heat pump specifications

**Australia's
most awarded
environmental
water heater**

thinkefficient

direct heat transfer for outstanding efficiency

thinksubzero

innovative de-icing function for cold climates

thinkinnovation

*Australia's most awarded environmental
water heater*



1300 365 116

www.dux.com.au

airoheat[®] heat pump system

Why is Airoheat so efficient?

Let's consider the efficiency of Airoheat in two parts.

The first part is the efficient creation of the heat using state of the art components.

The second part is how and where the heat is transferred into the water. What makes Airoheat so efficient is that the heat transfer occurs within the water inside the tank. As a result it gets direct heat transfer and isn't exposed to some of the heat loss issues associated with other styles of heat pump water heaters.

Airoheat new features

- Airoheat now includes an innovative de-icing function so there's no need for a back-up element.
- Management by the innovative Hotlogic[®] controller allows the Airoheat to keep running in cold climates.

- Vented louvre design gives 38% faster recovery time over the original Airoheat system.*

Airoheat is still

- Compact, one piece design for an easier install
- An easy change over from an electric storage water heater
- Significantly lower on electrical consumption
- Very quiet
- A Small-Scale Technology Certificate (STC) approved product
- Full mains pressure delivery

*Tested at 18°C ambient and 40% humidity.



STCs Table - Heat Pump

		STCS ZONE			
PRODUCT CODE: D2FHG3000C		1	2	3	4
250 Litres	Airoheat heat pump	23	23	28	29

STC values are subject to change without notice and are correct at time of printing. STCs calculations are based on continuous tariff.

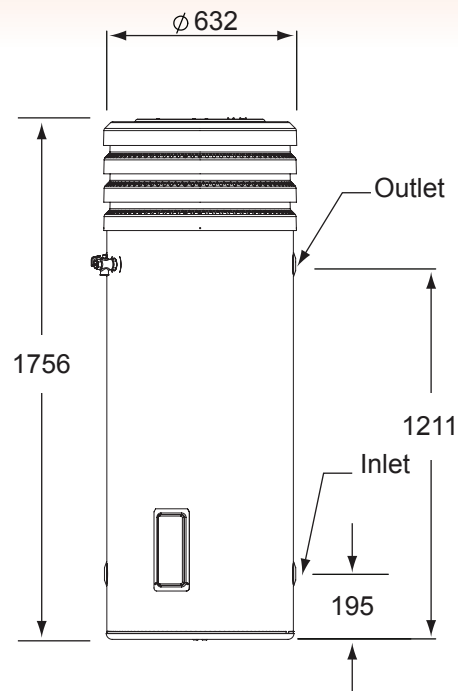


SPECIFICATIONS	AIROHEAT
Capacity	250L
Net weight empty	113 kg
Power consumption (general tariff)	1.2 kW
Max water supply pressure	800kPa
Relief valve pressure	1000kPa
Free air flow	1500 m ³ /h
Rated voltage	240V ac
Evaporator area	0.36 m ²

Not suitable for installation in alpine areas or areas above 1000m.

CAPACITY (LITRES)	PEOPLE
250	3-5

Size figures are based on environmental averages which can effect the performance of solar and heat pump heaters. Adult icon can represent dishwasher or washing machine. An adult icon does not represent a spa bath. Based on connection to continuous tariff.



Warranty

Full warranty terms and conditions are in the product's Owner's Manual ("the warranty"), which you must comply with for a warranty claim to be honoured by Dux.

Our goods come with guarantees that cannot be excluded under the Australian Consumer Law. You are entitled to a replacement or refund for a major failure and for compensation for any other reasonably foreseeable loss or damage. You are also entitled to have the goods repaired or replaced if the goods fail to be of acceptable quality and the failure does not amount to a major failure.

Under the warranty, the transport, installation and labour costs of delivering the replacement hot water unit or solar collector and removing and replacing the existing hot water unit or solar collector with the replacement hot water unit or solar collector will be your responsibility, unless otherwise agreed by Dux. The benefits provided to you by the warranty are in addition to the guarantees and other rights and remedies available to you under the Australian Consumer Law.

How to Make a Warranty Claim

Warranty claims can be made at the point of sale or by posting or faxing a warranty claim to the manufacturer (contact details listed below) within one (1) month of the appearance of a defect. Warranty claims must include the following details: date of purchase, location of purchase, proof of purchase, date of installation, contact details, and product serial number.

Manufacturer's Contact Details

Address: Dux Manufacturing Limited, Lackey Road, Moss Vale, NSW, 2577, Australia • Telephone: 1300 365 115 (Australia), 0800 729 389 (New Zealand) • Email: marketing@dux.com.au



Contact Dux for your Hot Water Solutions

Sales: 1300 365 116 Service: 1300 365 115 Web Site: www.dux.com.au

©Dux Manufacturing Limited ABN 19 077 879 844. Lackey Rd, PO Box 209 Moss Vale, NSW 2577

The information supplied was correct at time of printing. Specification and materials may change without notice.

© and ™ indicate trademarks of Dux Manufacturing Limited. Dux Manufacturing Limited is part of a publicly listed Australian company.

RTA: AU12953



GWA
Smarter Solutions